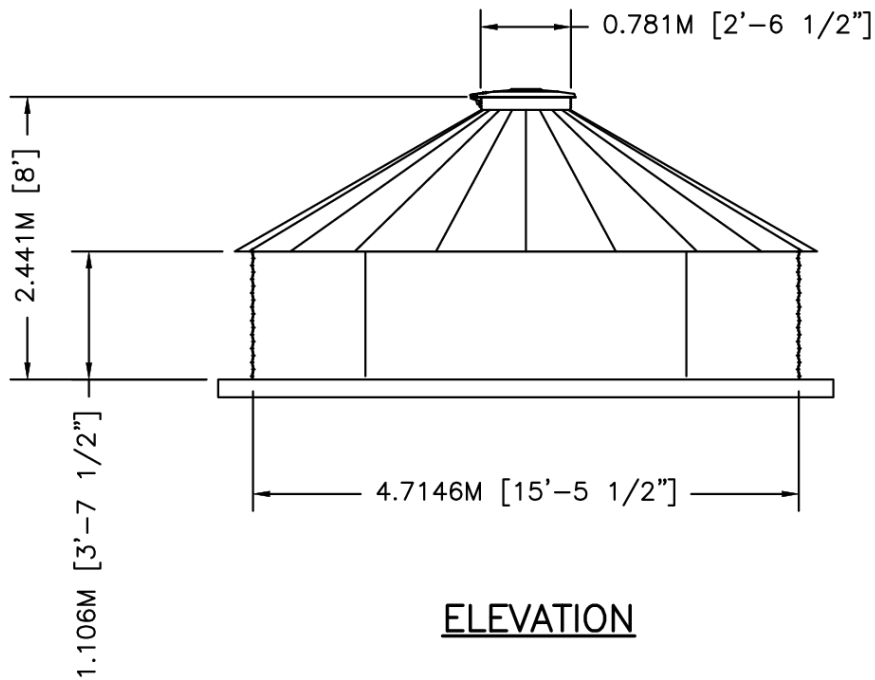



PLAN



ELEVATION

	BY	DATE	TITLE		
	DWN XXX	XX/XX/XX	WTU05-01 30"PR 30DEG V-RIB NOMINAL CAPACITY - 17.072 M3 [4,510 GAL]		
	CKD		DWG. NO.	REV. NO.	
	ENG		SCT1501-VR WTU05-01		
		SIZE:	SCALE:	SHEET	OF
		A	3/16"=1'-0"	1	1